



# TRU-Omni S727

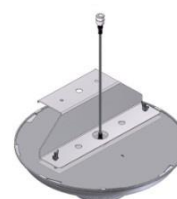
V-Pol Omni Antenna, 698-2700MHz, Surface Mount



- True Omni Patterns
- Highest Gain for Ceiling Mounted Antennas
- PIM Certified @ 2 x 20 Watts
- Surface Mount for Metallic Tile and Hard Surface Applications
- Includes Premium Pig Tail Jumper

### Optional Mounting Bracket 919057

Mounting TRU-Omni S727 Antenna to hard surfaces



## Electrical Specifications

Frequency Band, MHz	698-960	740-894	1710-2170	2500-2700
Horizontal Beam width	360	360	360	360
Gain, dBi	2.9	2.9	6.4	7.3
VSWR Maximum/Return Loss, dB	1.7/11.7	1.4/15.0	1.4/15.5	1.5/14.0
Polarization	Vertical			
Intermodulation (2x20w), IM3, dBc, Maximum	-150			
Impedance, ohms	50			
Maximum Power Per Connector, CW	40			



# TRU-Omni S727

V-Pol Omni Antenna, 698-2700MHz, Surface Mount

## Mechanical Specifications

Dimensions, Diameter/Depth	12.2/4.6 in (311/116 mm) <b>Overall</b>
Connector (Quantity) Type	(1) N-Female on 12" Pigtail, plenum rated
Connector Location	Top
Antenna Weight	1.22 lb (0.55 kg)
Radome Material	Polypropylene
Mounting	Surface Mount on Metallic Ceiling Tile or Hard Surface
Application	Indoor
Operating Temperature	-40 °F to +140 °F (-40 °C to +60 °C)
Package Quantity	1

## Order Information

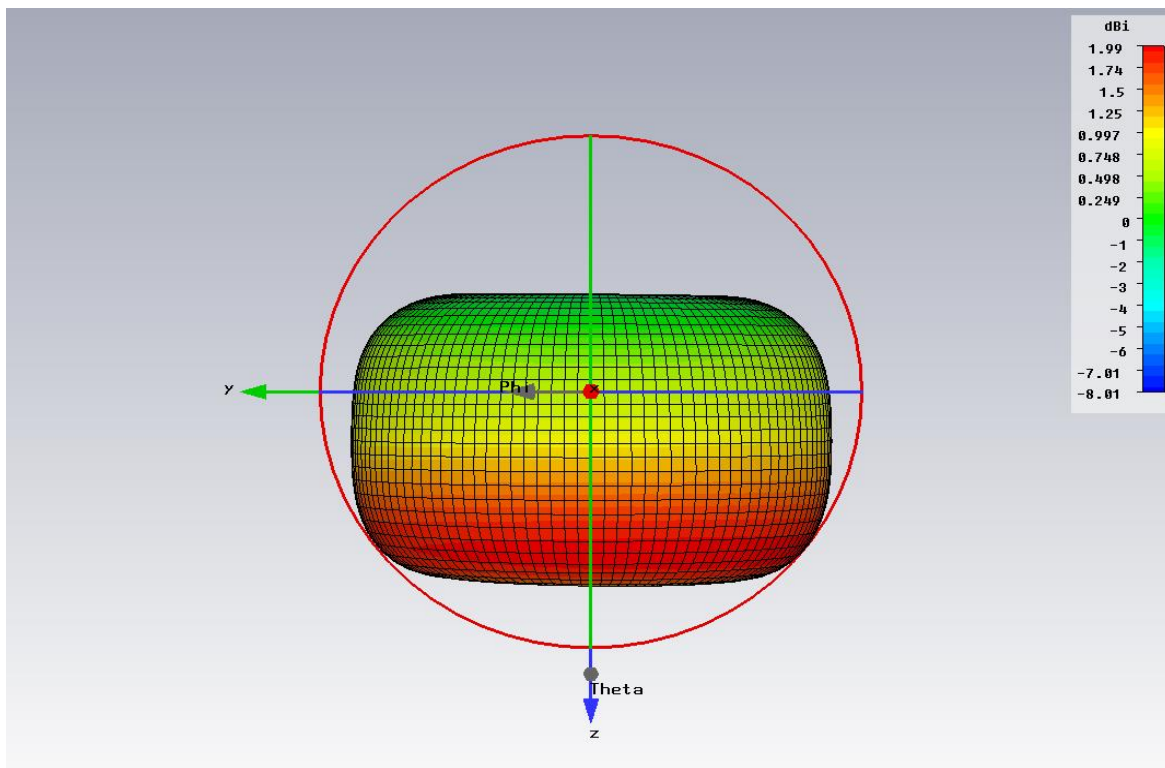
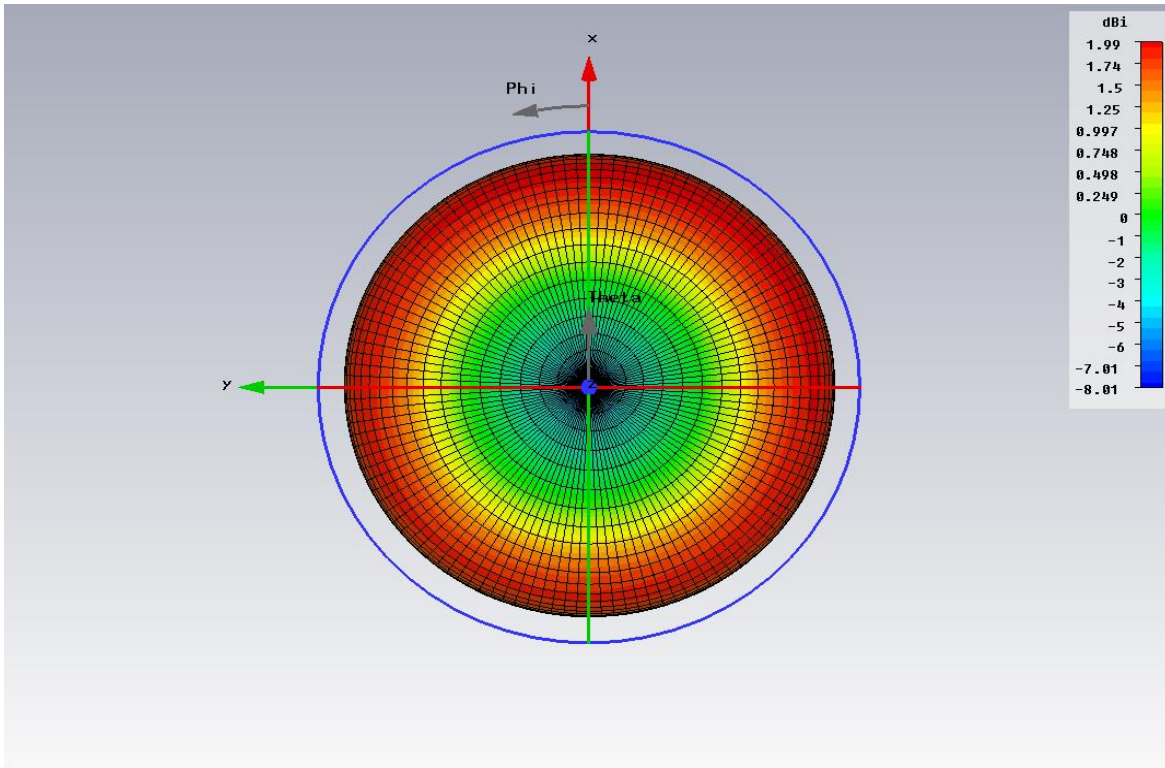
<b>Model</b>	<b>Description</b>
TRU-Omni S727	Surface Mount Omni Antenna, V-Pol, 698-2700MHz
919057	Optional Hard Surface Mount Bracket



# TRU-Omni S727

V-Pol Omni Antenna, 698-2700MHz, Surface Mount

## Patterns Measured @ 750MHz



[www.cssantenna.com](http://www.cssantenna.com)

410-612-0080

[customerservice@cssantenna.com](mailto:customerservice@cssantenna.com)

All Specifications are subject to change.  
Refer to [www.cssantenna.com](http://www.cssantenna.com) for the most current information

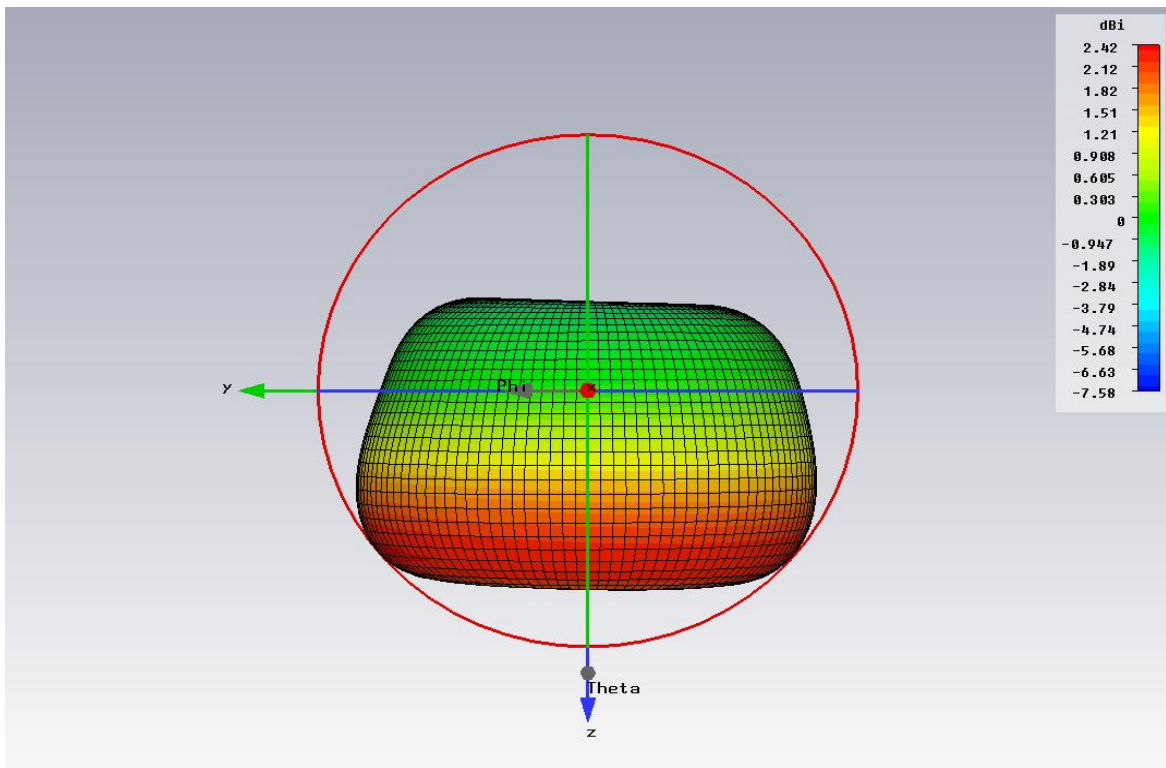
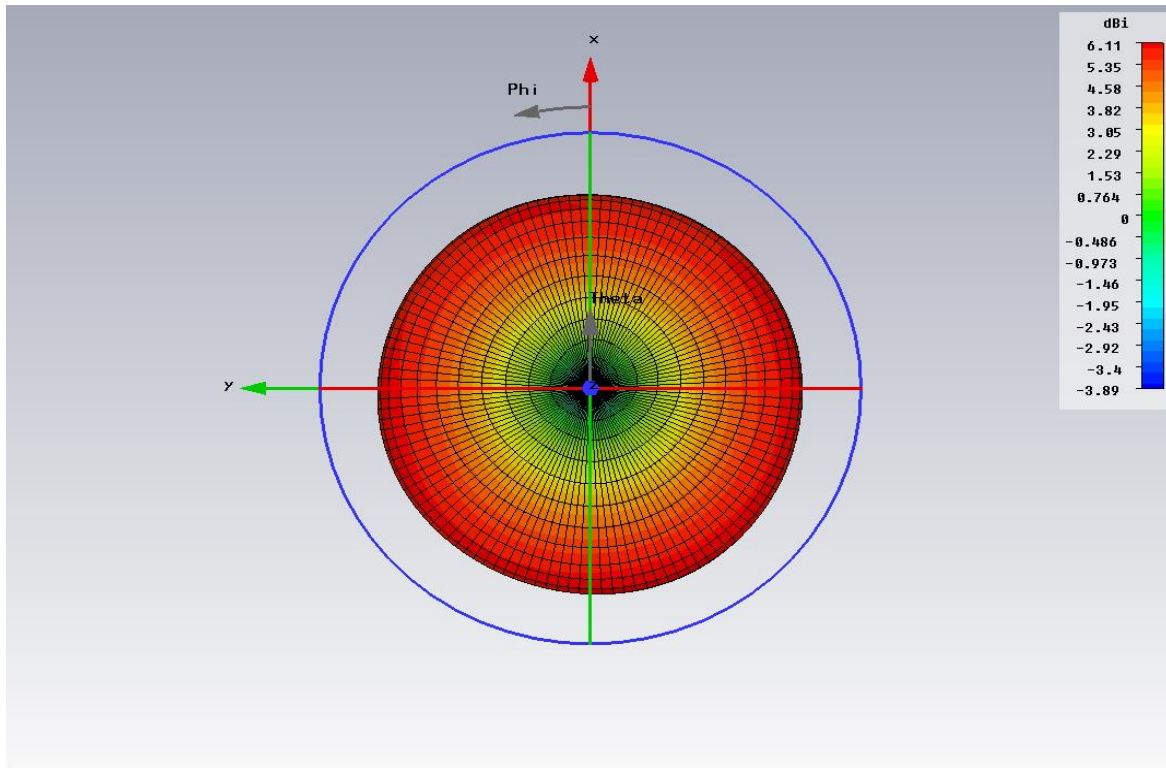
Page 3 of 10  
5/02/2013



# TRU-Omni S727

V-Pol Omni Antenna, 698-2700MHz, Surface Mount

## Patterns Measured @ 850MHz



[www.cssantenna.com](http://www.cssantenna.com)

410-612-0080

[customerservice@cssantenna.com](mailto:customerservice@cssantenna.com)

All Specifications are subject to change.  
Refer to [www.cssantenna.com](http://www.cssantenna.com) for the most current information

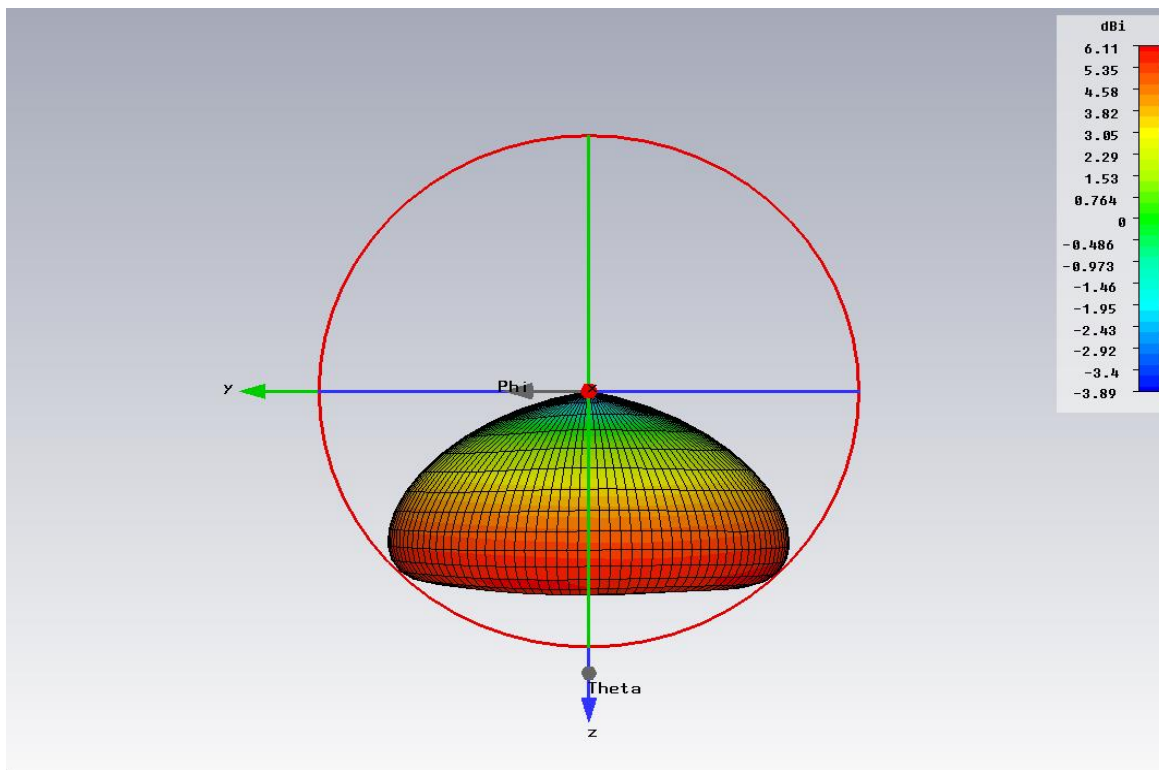
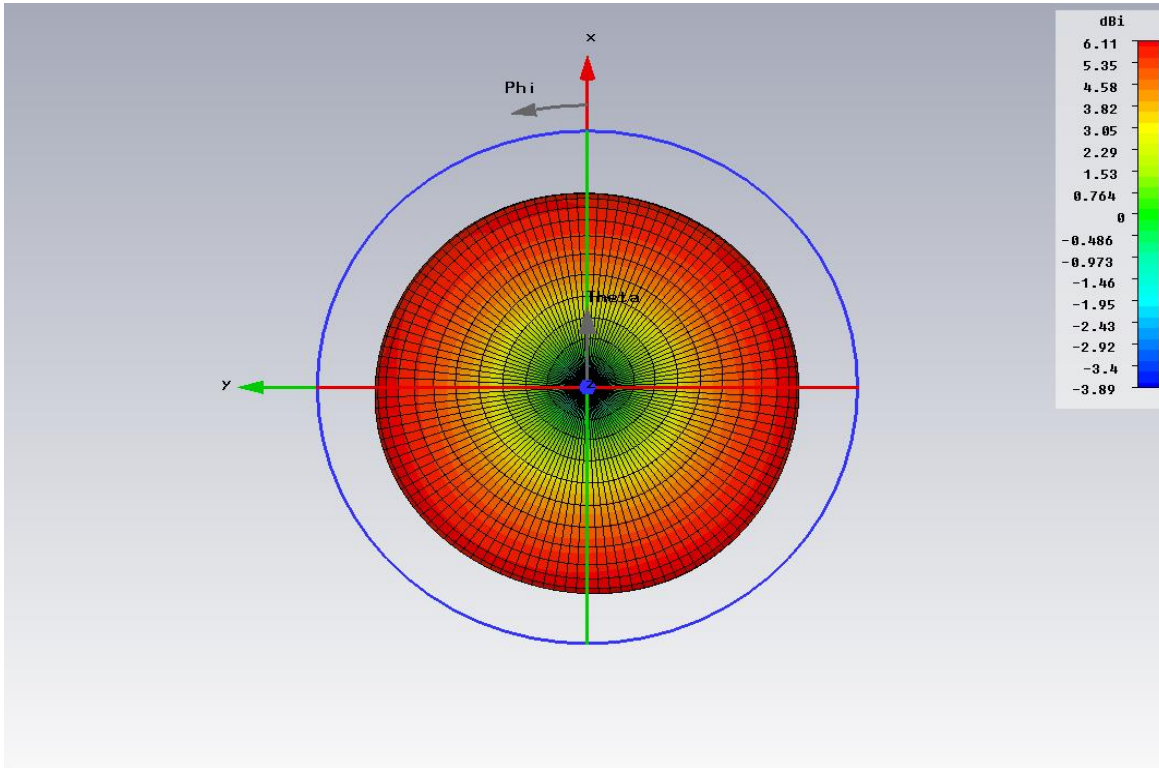
Page 4 of 10  
5/02/2013



# TRU-Omni S727

V-Pol Omni Antenna, 698-2700MHz, Surface Mount

## Patterns Measured @ 1780MHz



[www.cssantenna.com](http://www.cssantenna.com)

410-612-0080

[customerservice@cssantenna.com](mailto:customerservice@cssantenna.com)

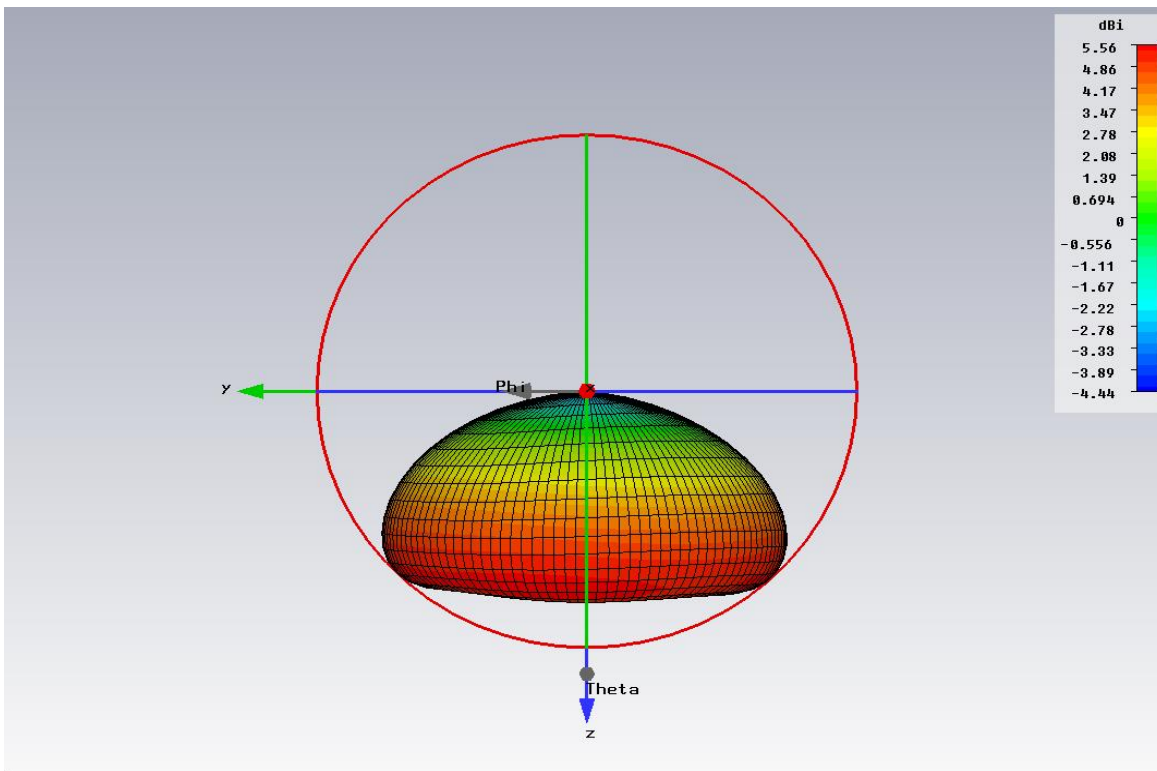
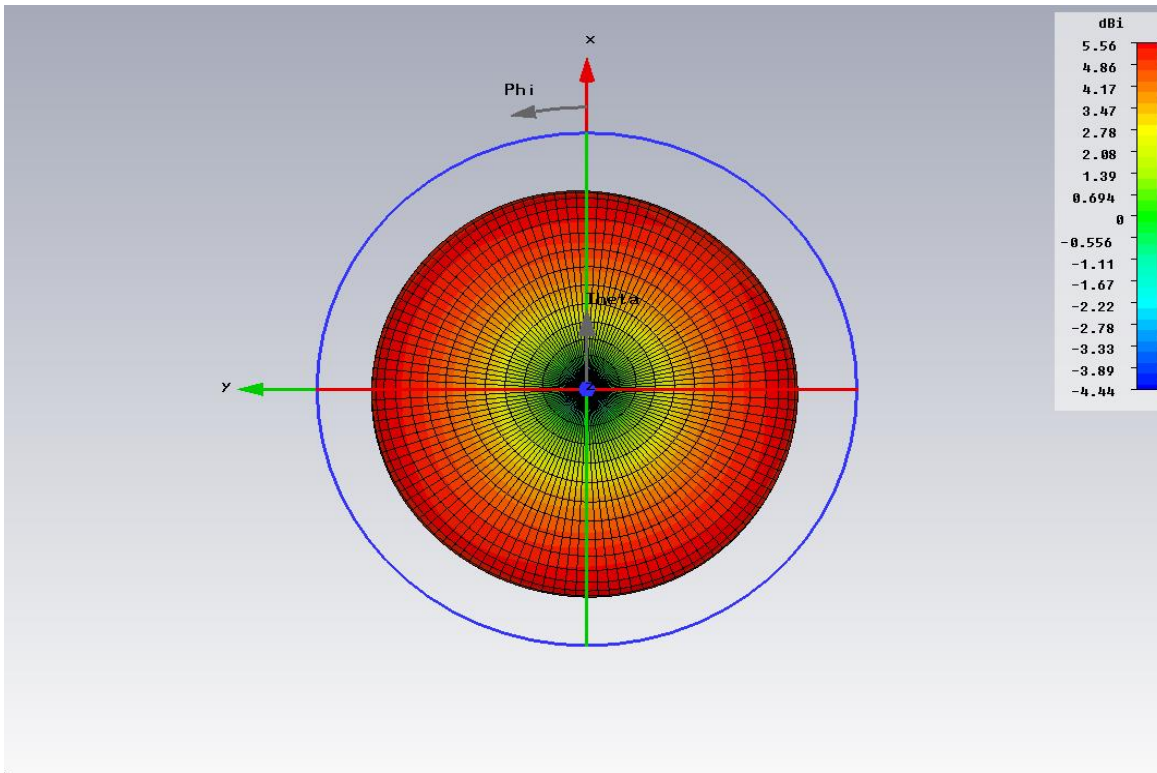
All Specifications are subject to change.  
Refer to [www.cssantenna.com](http://www.cssantenna.com) for the most current information



# TRU-Omni S727

V-Pol Omni Antenna, 698-2700MHz, Surface Mount

Patterns Measured @ 1920MHz



[www.cssantenna.com](http://www.cssantenna.com)

410-612-0080

[customerservice@cssantenna.com](mailto:customerservice@cssantenna.com)

All Specifications are subject to change.  
Refer to [www.cssantenna.com](http://www.cssantenna.com) for the most current information

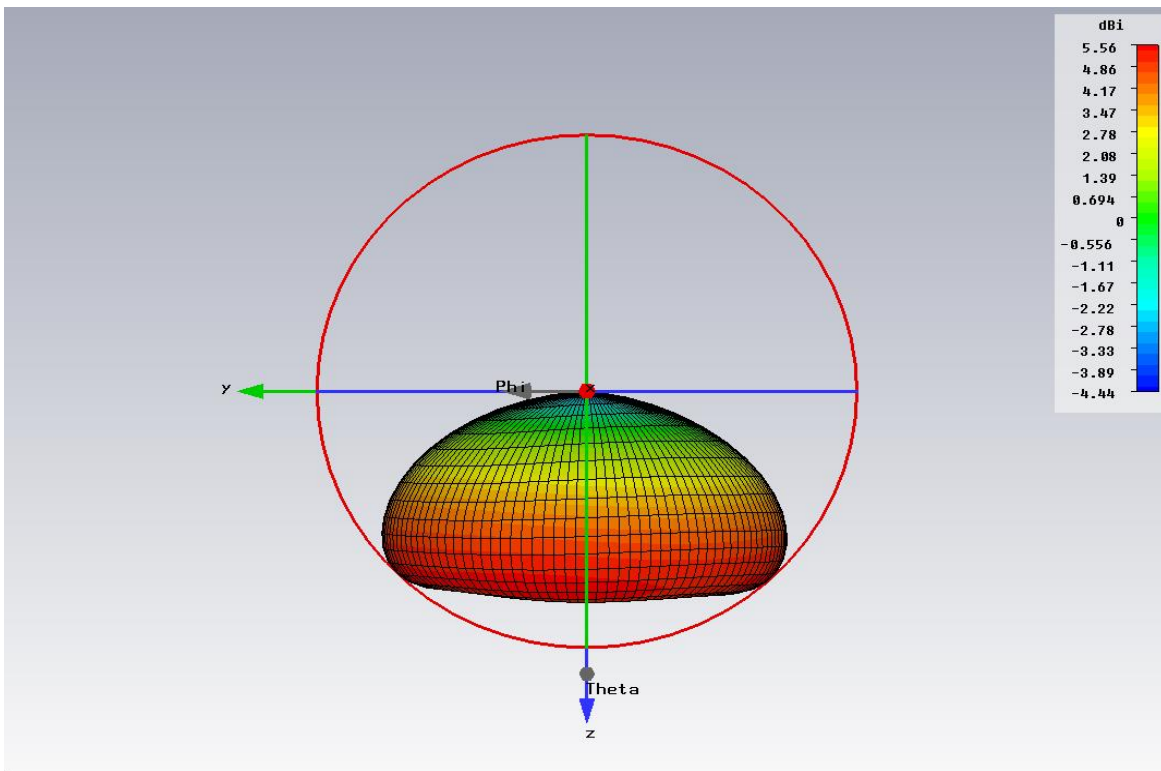
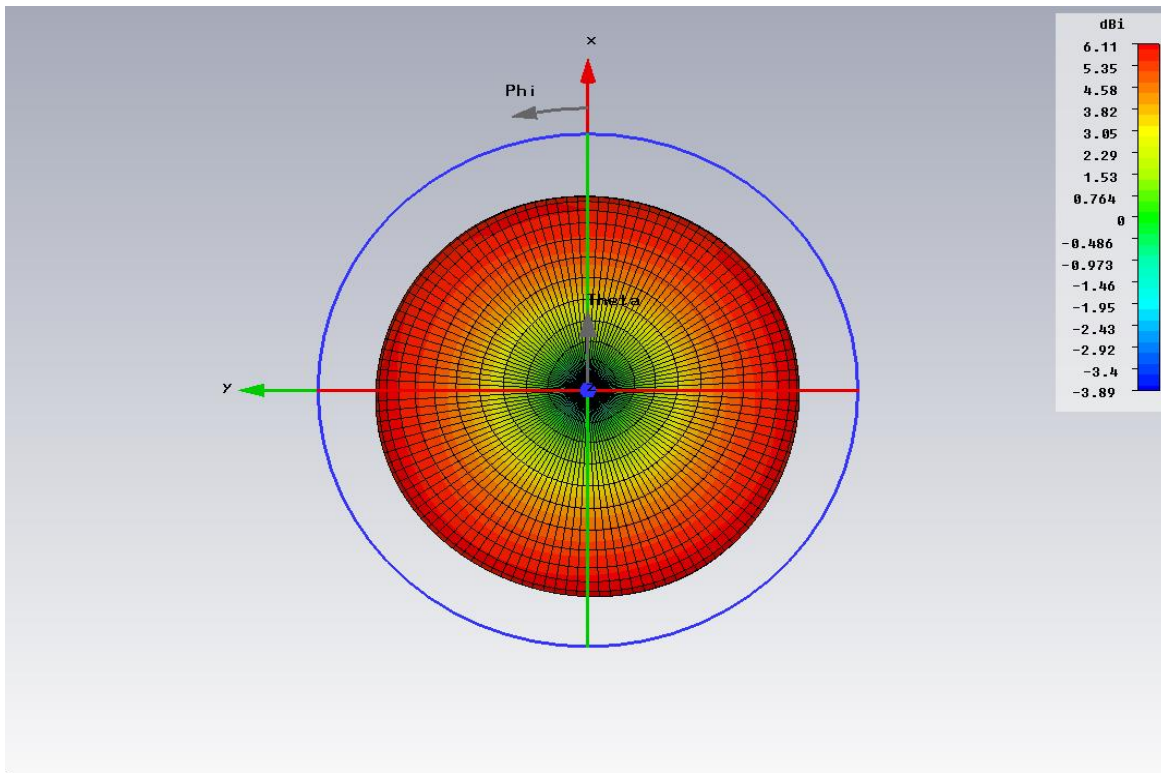
Page 6 of 10  
5/02/2013



# TRU-Omni S727

V-Pol Omni Antenna, 698-2700MHz, Surface Mount

Patterns Measured @ 2080MHz



[www.cssantenna.com](http://www.cssantenna.com)

410-612-0080

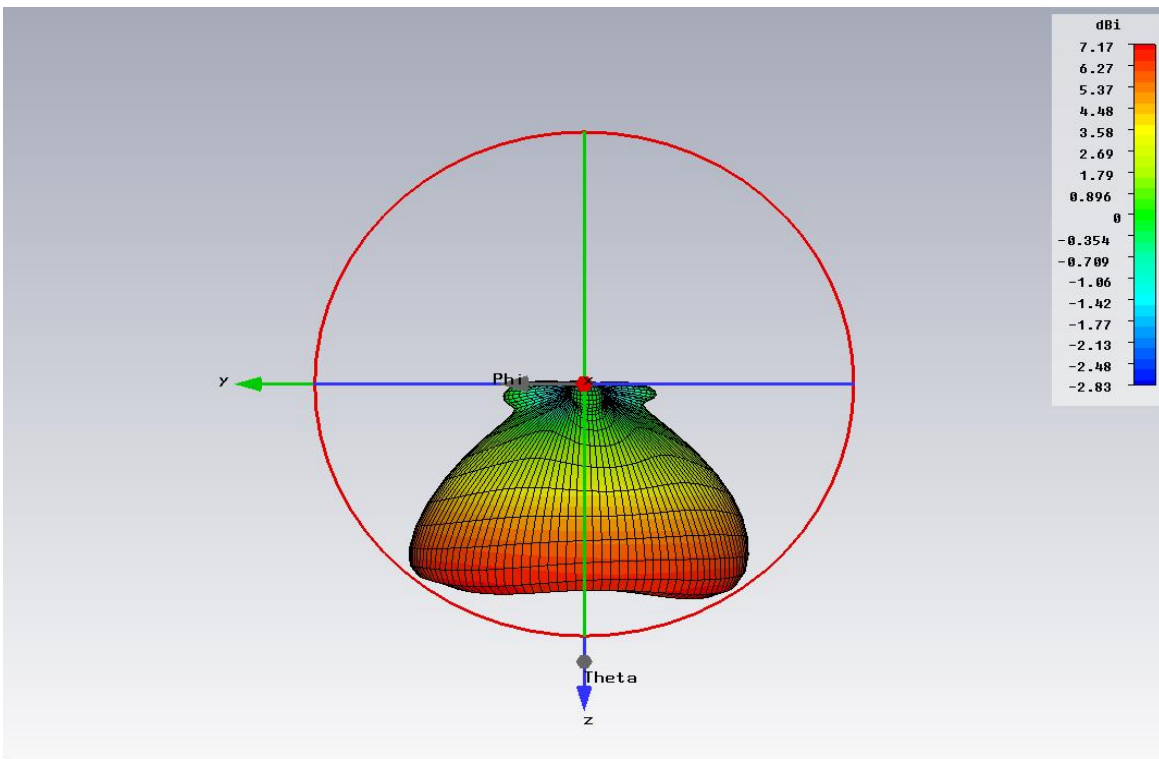
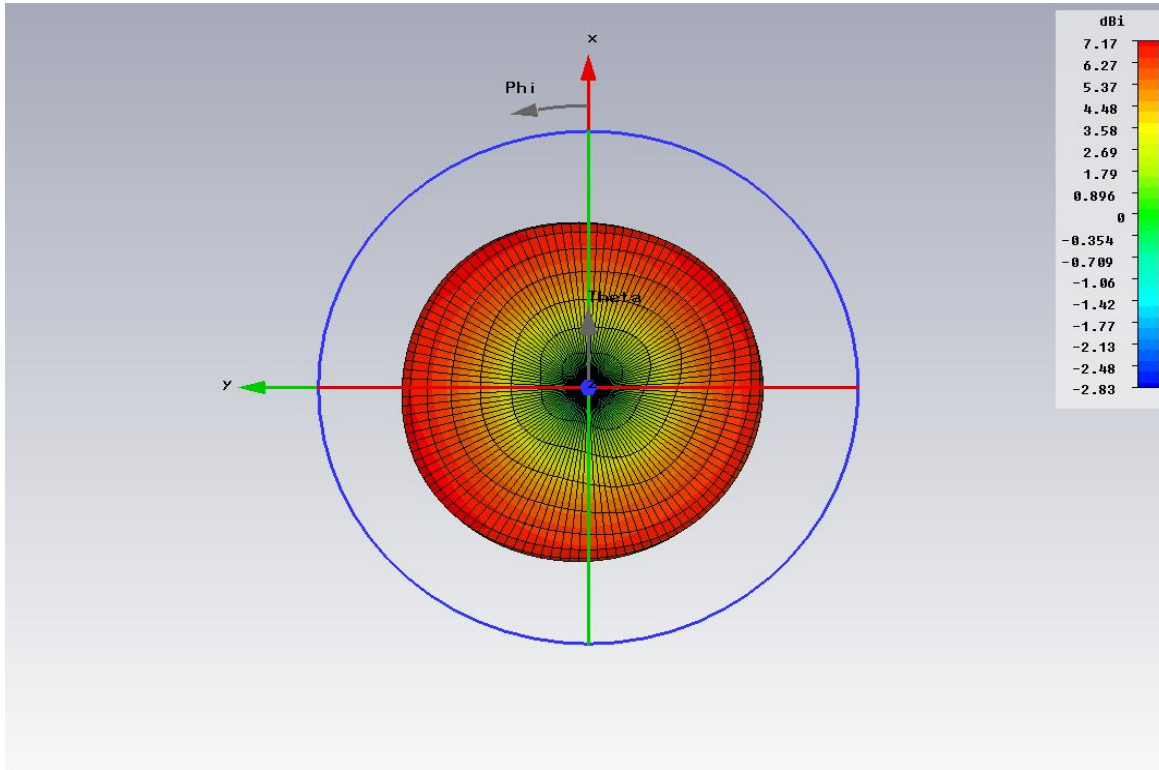
[customerservice@cssantenna.com](mailto:customerservice@cssantenna.com)



# TRU-Omni S727

V-Pol Omni Antenna, 698-2700MHz, Surface Mount

Patterns Measured @ 2600MHz



[www.cssantenna.com](http://www.cssantenna.com)

410-612-0080

[customerservice@cssantenna.com](mailto:customerservice@cssantenna.com)

All Specifications are subject to change.  
Refer to [www.cssantenna.com](http://www.cssantenna.com) for the most current information

Page 8 of 10  
5/02/2013

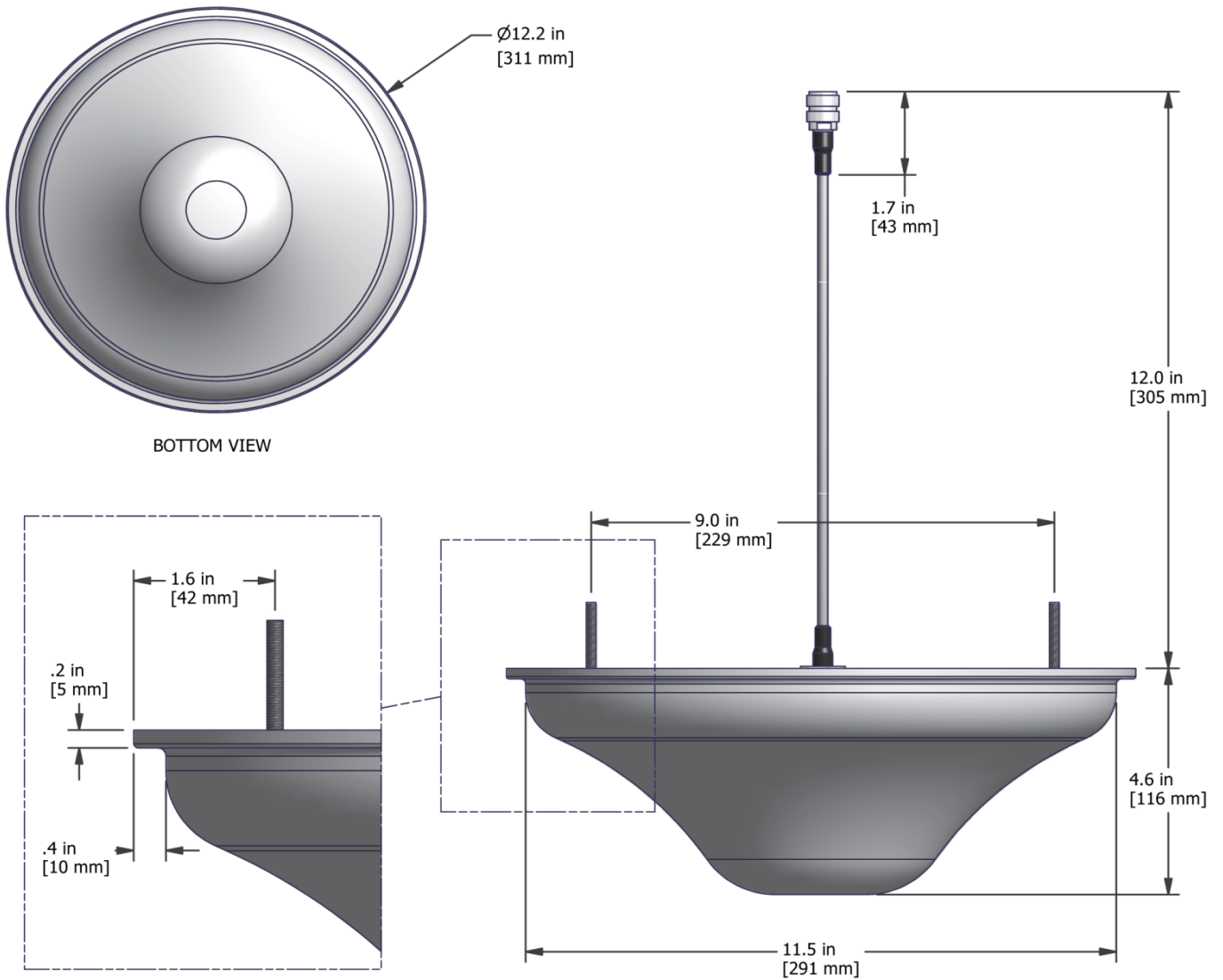




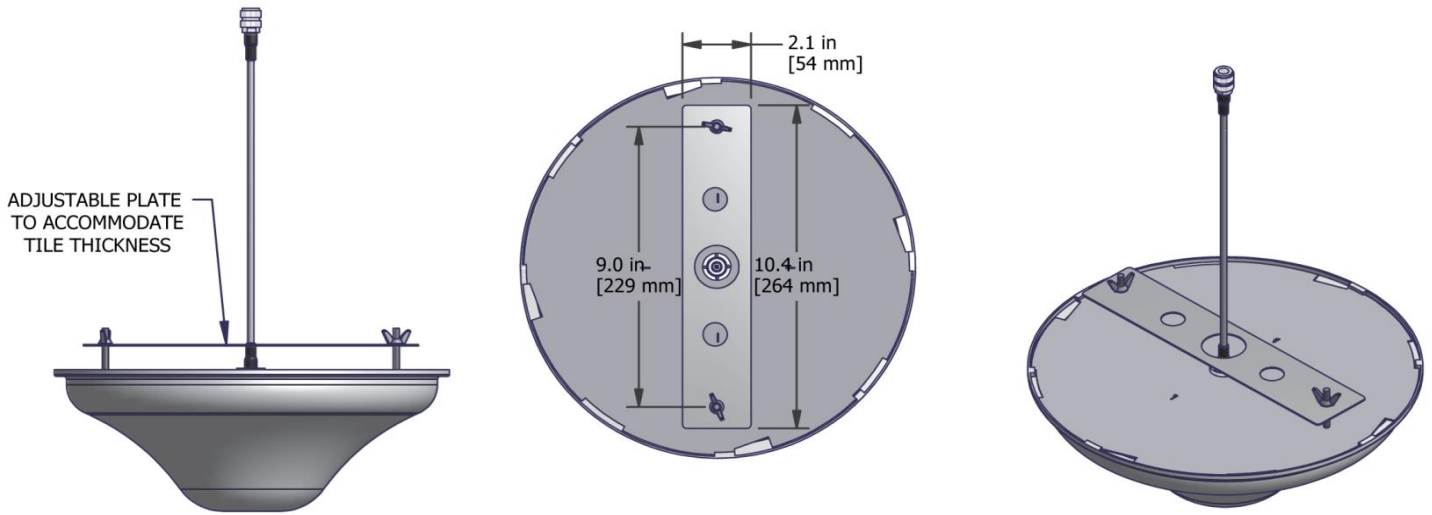
# TRU-Omni S727

V-Pol Omni Antenna, 698-2700MHz, Surface Mount

## Mechanical Outline Drawing



## Standard Bracket Kit



## Optional Bracket Kit (919057)

